

QUANTUMRED

Vision, beyond the limits.



Night Vision Camera

Automotive

Accuracy

Expandability

Efficiency

Accurate temperature
Measurement and
High quality imaging

Supports various video
Formats for multiple
applications

Low cost, space free,
comfortable,
easy installation

Hanwha Systems Night Vision is designed based on QuantumRed, a proven thermal imaging engine module, and is the most effective product to secure driver safety in connection with ADAS/AEB.

Key Features

- QVGA (320x240), VGA (640x480) resolution, 30Hz/60Hz
- ISO 26262 development process compliance
- Key Components AEC-Q100 Qualified
- ASIL-B Ready
- Provides video interface for vehicles such as GMSL and FPD-Link

QuantumRed NVC Technical Specifications

Thermal Imager

Sensor Technology	Uncooled Microbolometer
Array Format	QVGA(320X240), VGA(640X480)
Pixel Pitch	12 μm
Spectral Range	LWIR 8~14 μm
Frame Rate	30Hz/60Hz (EL free)

Mechanical

Size (mm)	39(W) x 43(H) x 64(D)
Weight	190g

Optical Systems

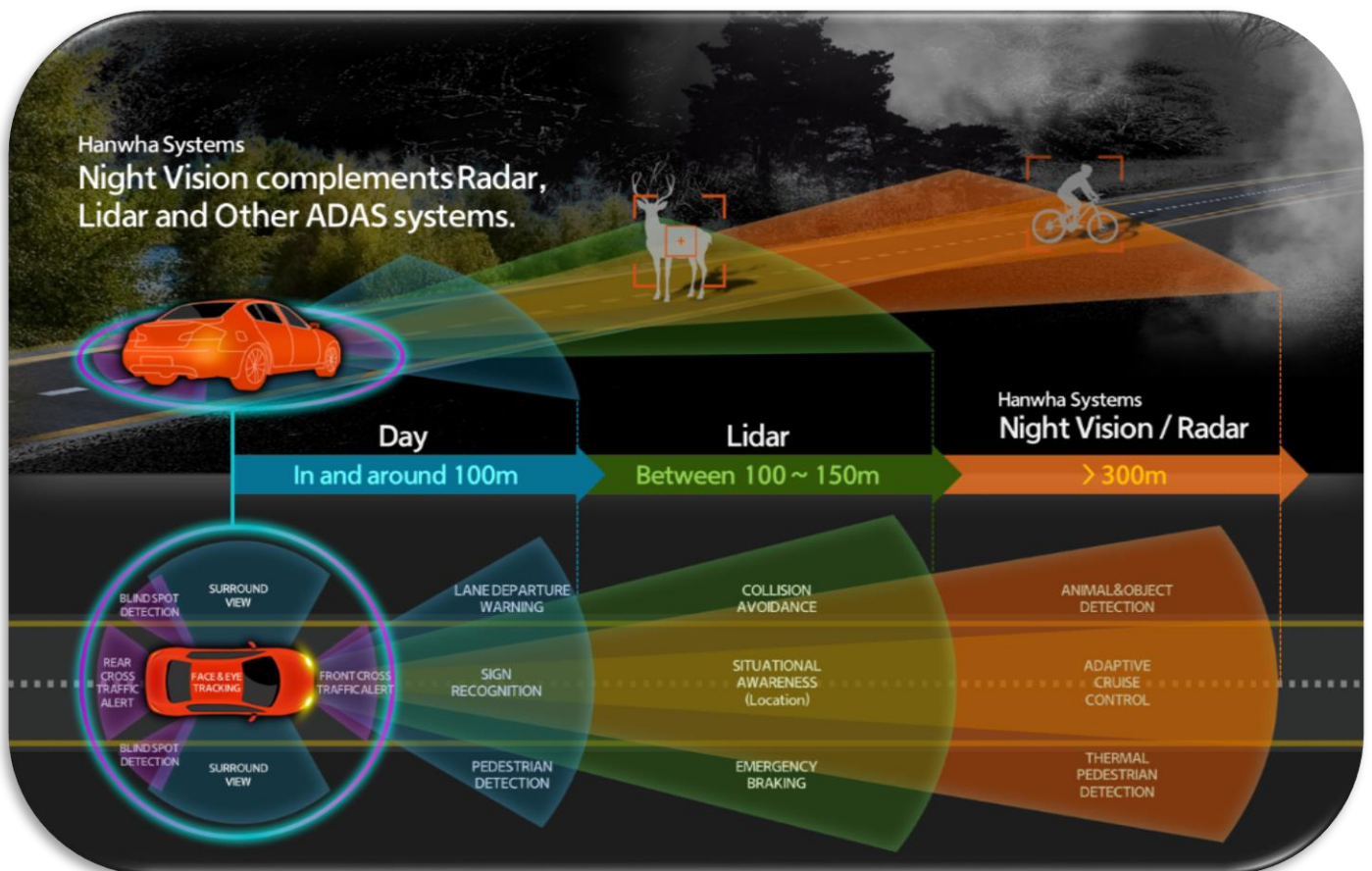
Window	Built-in a heater
Field of View (H) x (V)	32°x 24°, 61.1°x 45.8°

Electrical

Input Voltage	5.0 ~ 24.0V
Power Consumption	Typ. 1.5W(QVGA), 1.8W(VGA)
Video Channel	GMSL, FPD-Link, USB

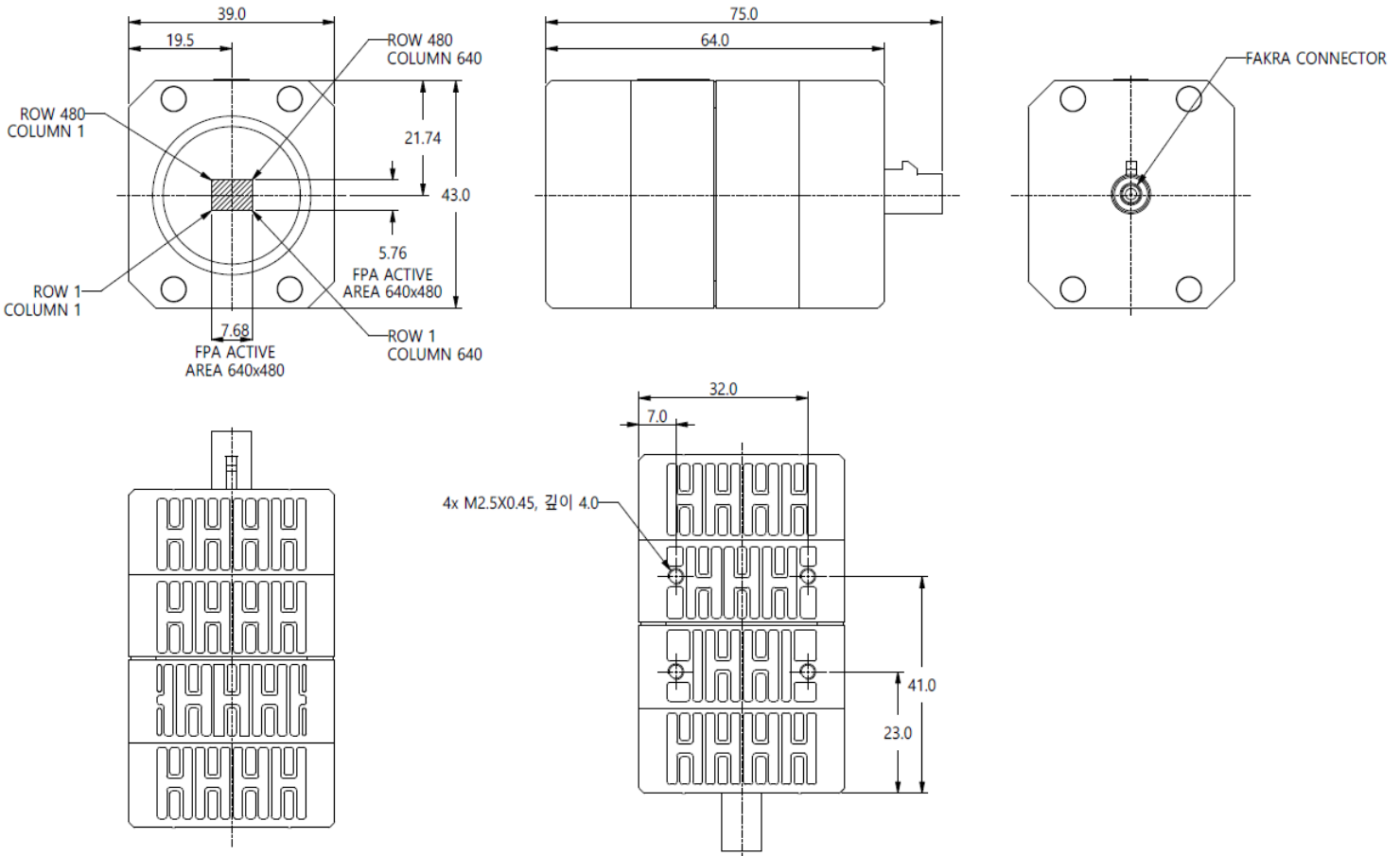
Environmental

Operating Temp.	-40°C ~ +85°C
Storage Temp.	-40°C ~ +85°C



QuantumRed NVC Dimensions

NVC Dimension : 32°x 24°



NVC Dimension : 61.1°x 45.8°

